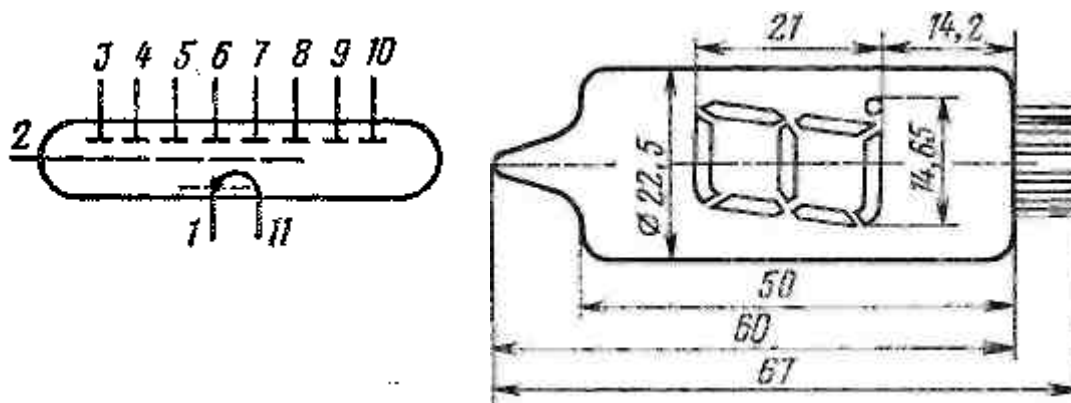


IV-11 VFD TYPE 7-SEGMENT INDICATOR TUBE

Indicator is vacuum luminescent single-column for mapping of information in the form of numbers, letters and point. Formulation - glass, miniature. Indication is produced through the side of the balloon. The size of sign-place 14,6 x 21mm. The image is formed from luminous anode-segments. Color of glow - green. Mass of 11 g. The outputs of the electrodes: 1 - cathode, conducting layer on the internal surface of balloon; 2 - grid (mask); 3...10 - anode- segments; 11 - cathode.



Specifications:

intensity of the glow.....	250 - 500 kd/m ²
viewing angle	80°
filament current.....	100 +/- 10 mA
current of anode- segment.....	0,8 mA
current of the anodes summary	3,5 - 5 mA
grid current.....	12 - 17 mA
filament voltage.....	1,5 +/- 0,15 volt
stress of the anodes and grid:	
in static behavior	25 - 30 volt
in pulsed operation (<i>multiplexed mode</i>).....	50 - 70 volt
Operating time.....	5000 hours